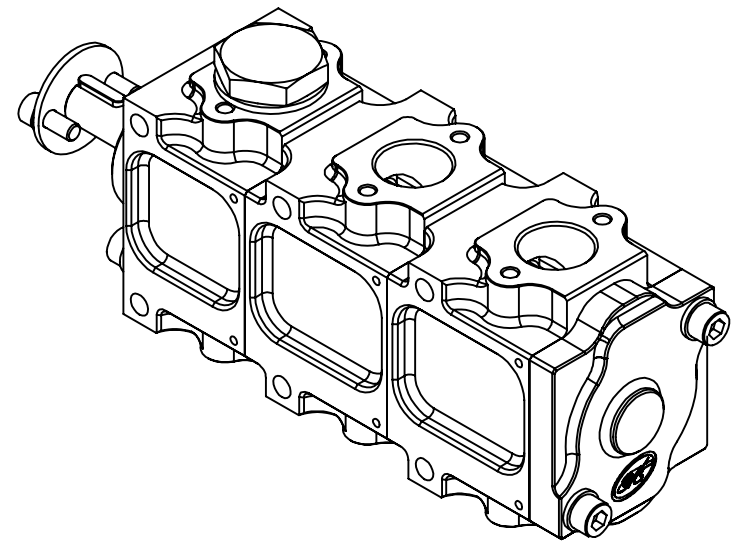
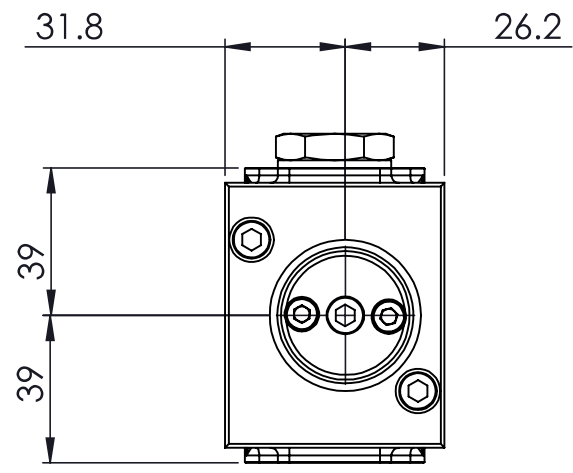
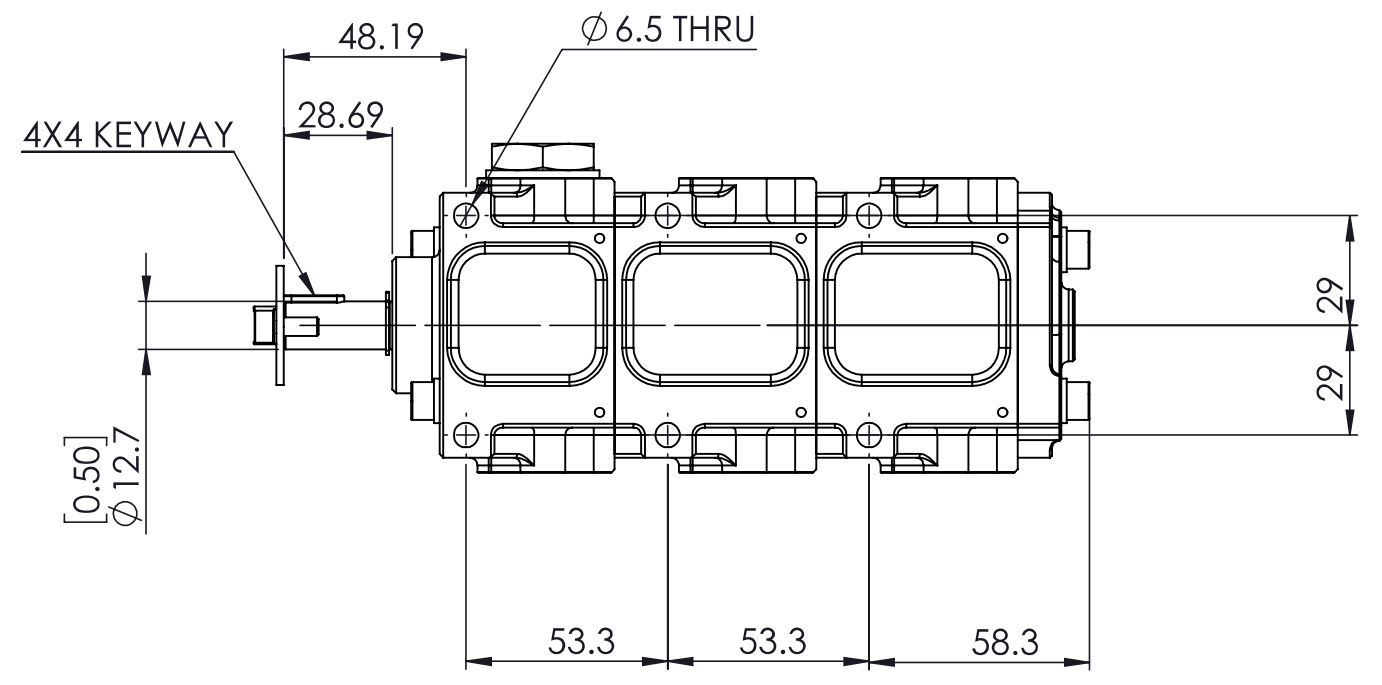
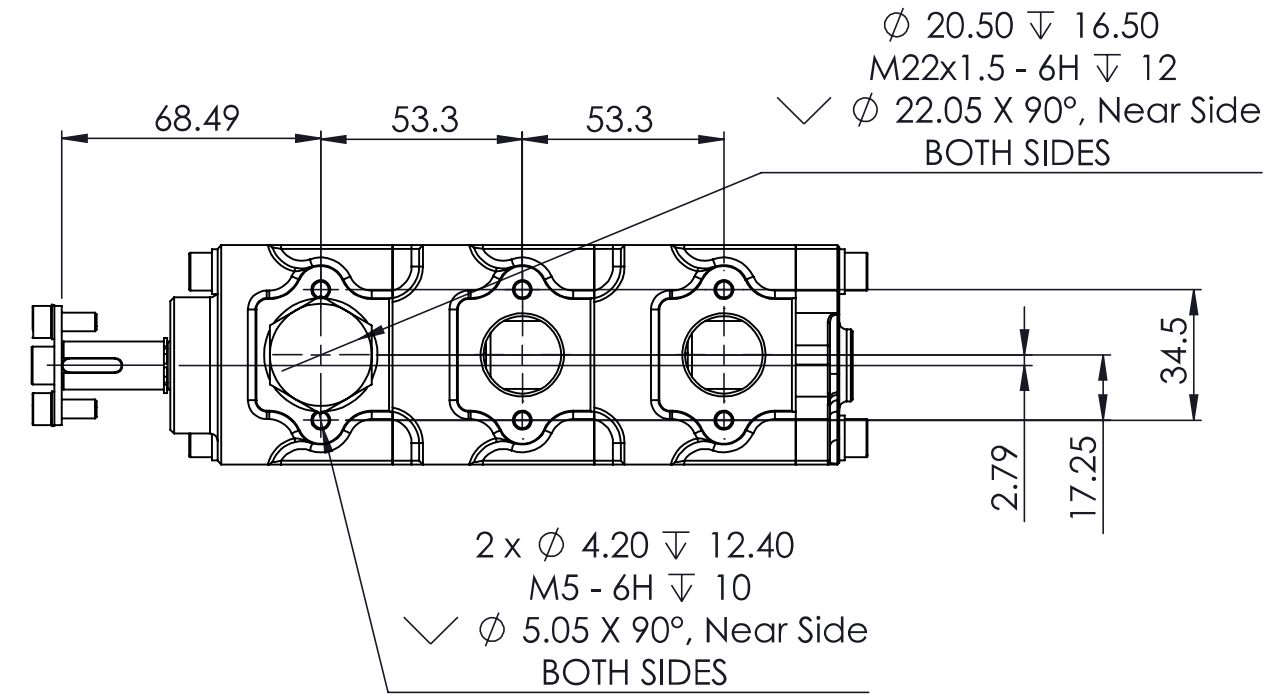



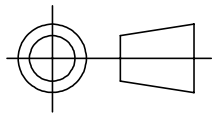
**NOTES:**

1. DISPLACEMENT PER REVERLUTION PER STAGE = 11.9 CC/REV
2. DISPLACEMENT AT 1000 RPM = 11.9 LT/MIN



**ISOMETRIC VIEW**



 <b>COPYRIGHT (c) 2013 AT POWER LTD UNIT 9, CHESTNUT DRIVE, WYMONDHAM, NORFOLK, UK, NR18 9SB</b>	 THIRD ANGLE PROJECTION	MATERIAL	SEE COMPONENT PARTS
		FINISH	SEE COMPONENT PARTS
UNLESS OTHERWISE STATED: DIMENSIONS IN MILLIMETRES TOLERANCES: LINEAR $\pm$ 0.1 ANGULAR $\pm$ 0.5° SURFACE FINISH $\nabla$ = $\nabla$ DRAWING STANDARDS TO ATQS 6003 DATE FORMAT: DD/MM/YY THIS DESIGN IS THE PROPERTY OF ACTIVE TECHNOLOGIES LTD AND MUST NOT BE REPRODUCED OR COMMUNICATED WITHOUT AUTHORITY	SCALE	WEIGHT	DRAWING TITLE <b>3 STAGE MINI CORDIS-FLG MTG - SCAVENGE ONLY-SHORT NOSE-11.9 Lt</b>
	1:2	-- kg	
	DRAWN- S.HOW	DATE- 23/04/20	
CAD PLOT DO NOT SCALE	CHECKED - S.HOW	DRAWING NUMBER	<b>104-103-00121</b>
	APPROVED - A.CLIFTON	SHEET 2 OF 2 A3	