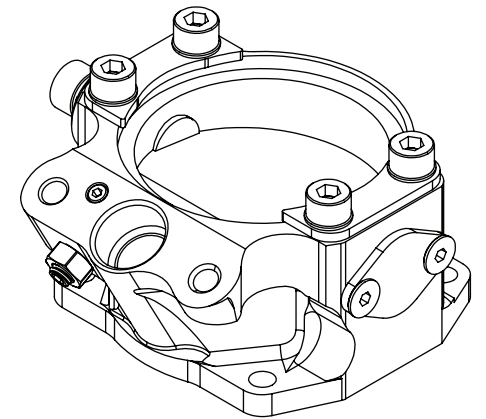
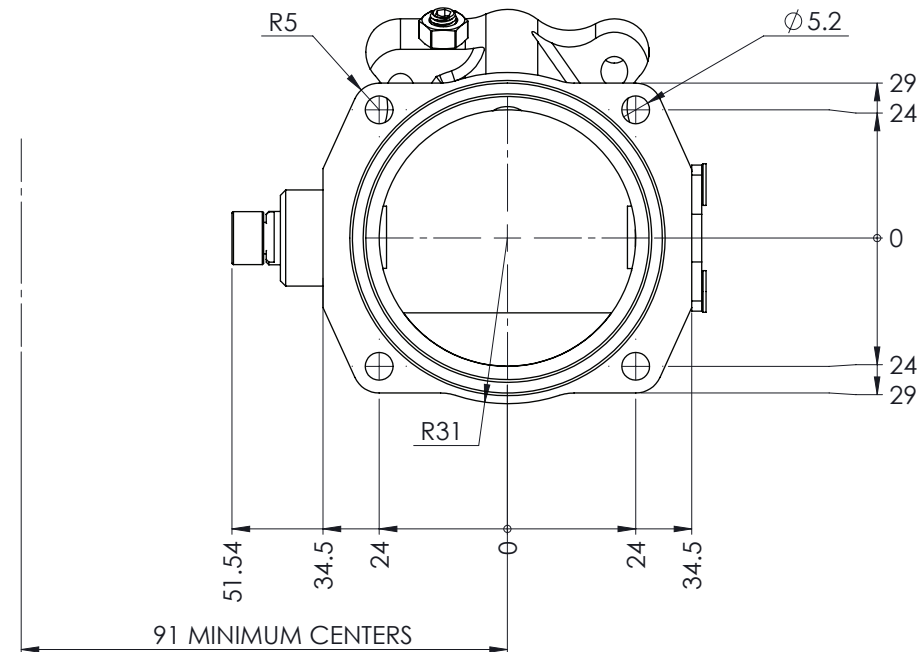

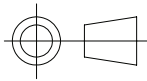


SECTION G-G



 COPYRIGHT (c) 2013 AT POWER LTD UNIT 9, CHESTNUT DRIVE, WYOMDHAM, NORFOLK, UK, NR18 9SB	 THIRD ANGLE PROJECTION		MATERIAL	SEE COMPONENT PARTS
	SCALE 1:1	WEIGHT 0.2 kg	FINISH	SEE COMPONENT PARTS
UNLESS OTHERWISE STATED: DIMENSIONS IN MILLIMETRES TOLERANCES: LINEAR ± 0.1 ANGULAR ± 0.5° SURFACE FINISH ✓ = ✓ DRAWING STANDARDS TO ATQS 6003 DATE FORMAT: DD/MM/YY THIS DESIGN IS THE PROPERTY OF AT POWER THROTTLES LTD AND MUST NOT BE REPRODUCED OR COMMUNICATED WITHOUT AUTHORITY	DRAWN-	S.HOW	DRAWING TITLE <b>ASSY - HOUSING - SINGLE -          ROUND - 48MM - INJECTED</b>	
	DATE -	29/11/19		
	CHECKED -	S.HOW	DRAWING NUMBER	<b>102-105-00025</b>
CAD PLOT DO NOT SCALE	APPROVED -	A.CLIFTON	SHEET 2 OF 2 A3	