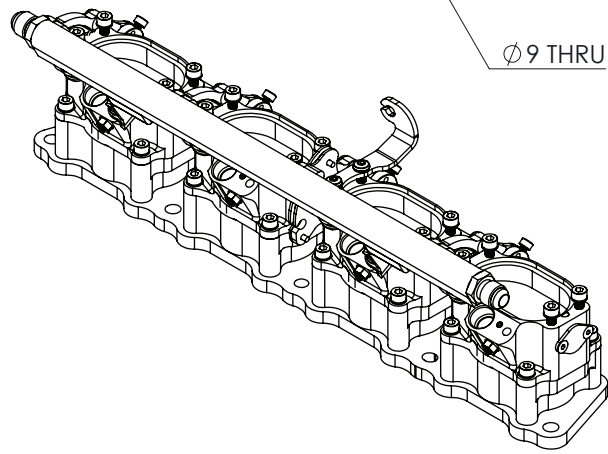


DETAIL B



Ø9 THRU

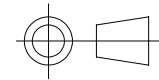


COPYRIGHT (c) 2013  
AT POWER LTD  
UNIT 9, CHESTNUT DRIVE, WYMONDHAM,  
NORFOLK, UK, NR18 9SB

UNLESS OTHERWISE STATED:  
DIMENSIONS IN MILLIMETRES  
TOLERANCES: LINEAR ± 0.1 ANGULAR ± 0.5°  
SURFACE FINISH ✓ = ✓  
DRAWING STANDARDS TO ATQS 6003  
DATE FORMAT: DD/MM/YY

THIS DESIGN IS THE PROPERTY OF  
AT POWER THROTTLES LTD AND  
MUST NOT BE REPRODUCED OR  
COMMUNICATED WITHOUT  
AUTHORITY

CAD PLOT  
DO NOT  
SCALE



THIRD ANGLE PROJECTION

SCALE 1:2 WEIGHT 2616.15432 kg

DRAWN- S.HOW

DATE - 25/02/16

CHECKED - MED

APPROVED - A.CLIFTON

MATERIAL  
SEE COMPONENT PARTS

FINISH  
SEE COMPONENT PARTS

DRAWING TITLE  
ASSY - UNIVERSAL - FORD -  
COSWORTH - YB - 52MM -  
57.8 x 32.3 PORT

DRAWING NUMBER  
102-109-00043