

BOV50 V-Band

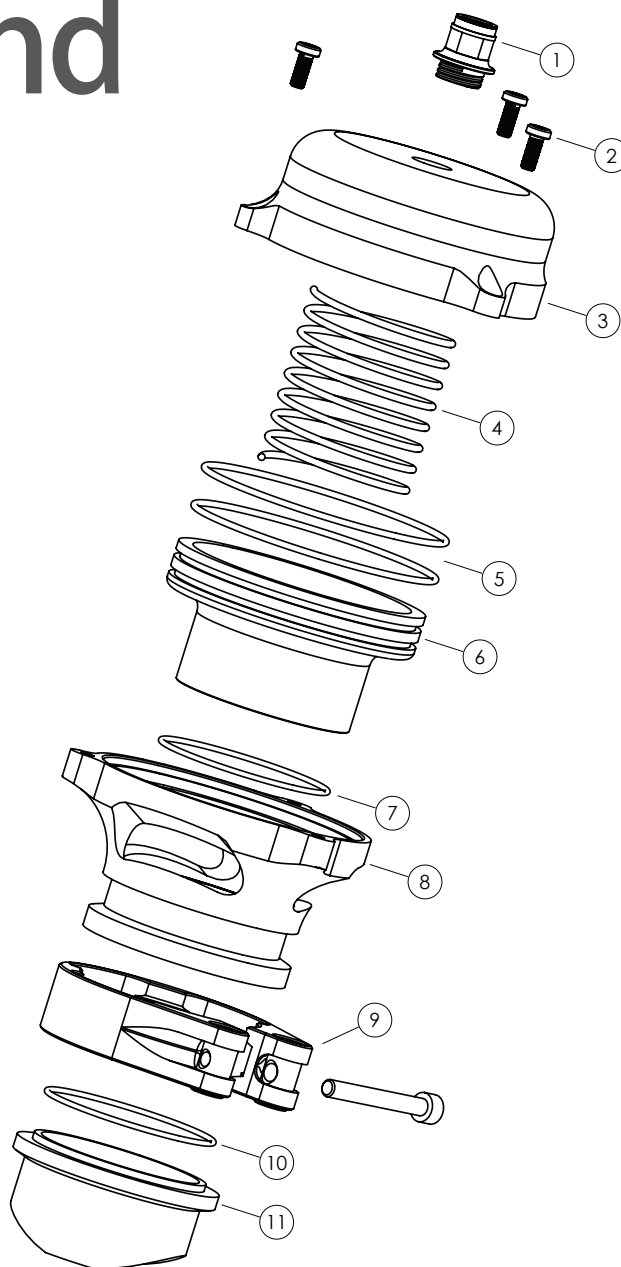
Blow Off Valve 50mm

900-02-201

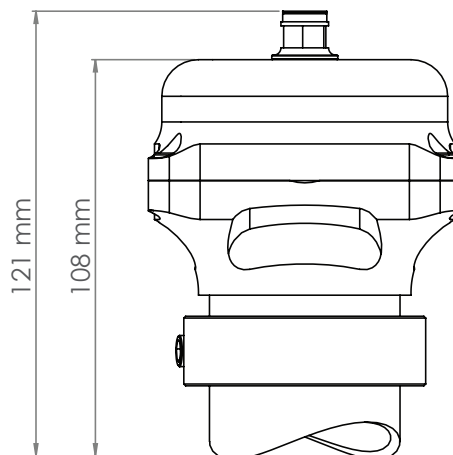
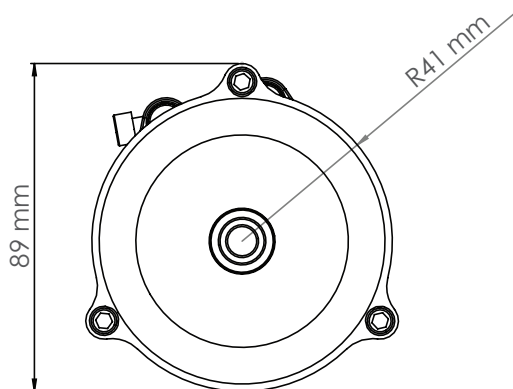
Assembly Instructions | © Nuke Performance AB 2018

For more information visit : www.nukeperformance.com

- 1 Pneufit 1/4 G for 6mm tube - 1/4 Barb is additional
- 2 3pc M4*10 mm Stainless Steel bolts
- 3 Billet top
- 4 Spring - see spring chart below
- 5 2pc Viton O-Ring 70*1,8 mm
- 6 Billet Piston
- 7 Viton O-Ring 48*1,5 mm
- 8 Billet Bottom for V-Band connection
- 9 V-Band clamp with stainless steel bolt
- 10 Viton O-Ring for V-Band connection
- 11 Welding Flange for 3" pipe - not anodized



MEASUREMENTS



Information:

Design combined with top quality performance.
For more information about the products and retailers visit
www.nukeperformance.com

nuke
PERFORMANCE