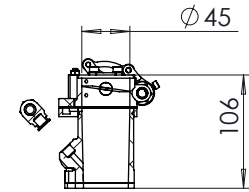
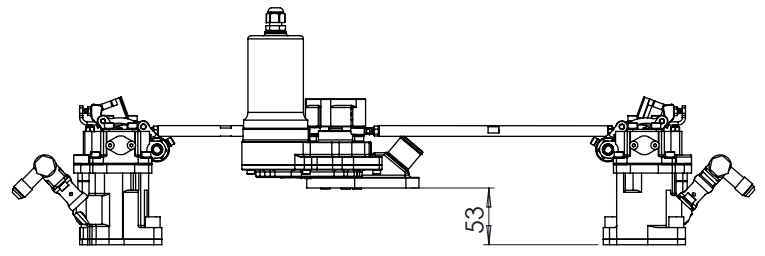
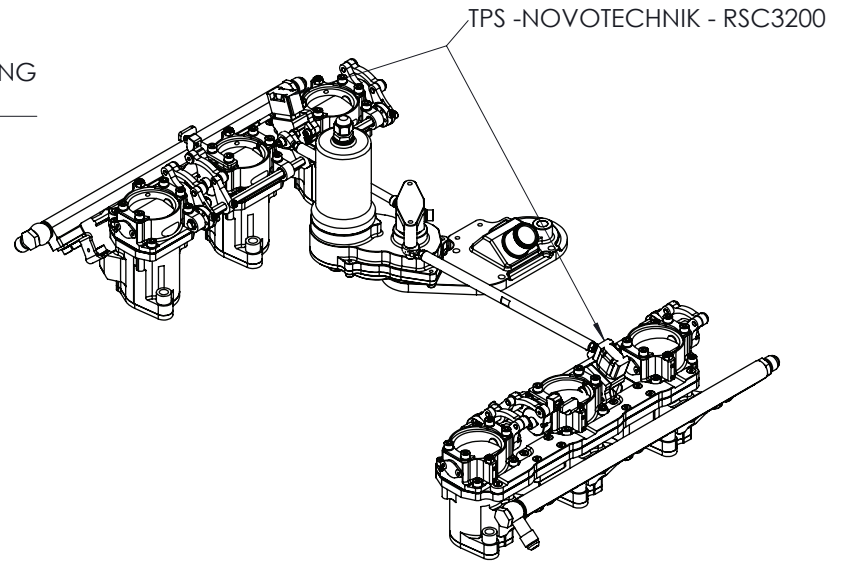


32  
FROM SIDE OF THROTTLE HOUSING  
TO SIDE OF LEVER ARM

7  
FROM SIDE OF THROTTLE HOUSING  
TO SIDE OF LEVER ARM



SECTION A-A

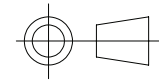


COPYRIGHT (c) 2013  
AT POWER LTD  
UNIT 9, CHESTNUT DRIVE, WYMONDHAM,  
NORFOLK, UK, NR18 9SB

UNLESS OTHERWISE STATED:  
DIMENSIONS IN MILLIMETRES  
TOLERANCES: LINEAR ± 0.1 ANGULAR ± 0.5°  
SURFACE FINISH ✓ = ✓  
DRAWING STANDARDS TO ATQS 6003  
DATE FORMAT: DD/MM/YY

THIS DESIGN IS THE PROPERTY OF  
AT POWER THROTTLES LTD AND  
MUST NOT BE REPRODUCED OR  
COMMUNICATED WITHOUT  
AUTHORITY

CAD PLOT  
DO NOT  
SCALE



THIRD ANGLE PROJECTION

SCALE 1:5	WEIGHT 6160.657 g
--------------	----------------------

DRAWN- S.HOW

DATE - 29/01/21

CHECKED - S.HOW

APPROVED - A.CLIFTON

MATERIAL  
SEE COMPONENT PARTS

FINISH  
SEE COMPONENT PARTS

DRAWING TITLE  
**PORSCHE 911 - 1978-89 - 42  
DIA PORT TO 45 - DBW**

DRAWING NUMBER  
**102-102-00279**