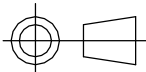
 COPYRIGHT (c) 2013 AT POWER LTD UNIT 9, CHESTNUT DRIVE, WYMONDHAM, NORFOLK, UK, NR18 9SB	 THIRD ANGLE PROJECTION		MATERIAL	SEE COMPONENT PARTS
	SCALE 1:2	WEIGHT 3.4 kg	FINISH	SEE COMPONENT PARTS
UNLESS OTHERWISE STATED: DIMENSIONS IN MILLIMETRES TOLERANCES: LINEAR ± 0.1 ANGULAR ± 0.5° SURFACE FINISH √ = √ DRAWING STANDARDS TO ATQS 6003 DATE FORMAT: DD/MM/YY	DRAWN- S.HOW	DRAWING TITLE		ASSY - HOUSING - UNIVERSAL - HONDA - K20 - FD2 - 50MM- STD PORT - ALI EXT -CABLE
	DATE - 24/11/22	CHECKED - S.HOW	DRAWING NUMBER	
THIS DESIGN IS THE PROPERTY OF AT POWER THROTTLES LTD AND MUST NOT BE REPRODUCED OR COMMUNICATED WITHOUT AUTHORITY	CAD PLOT DO NOT SCALE	APPROVED - A.CLIFTON	SHEET 2 OF 2 A3	