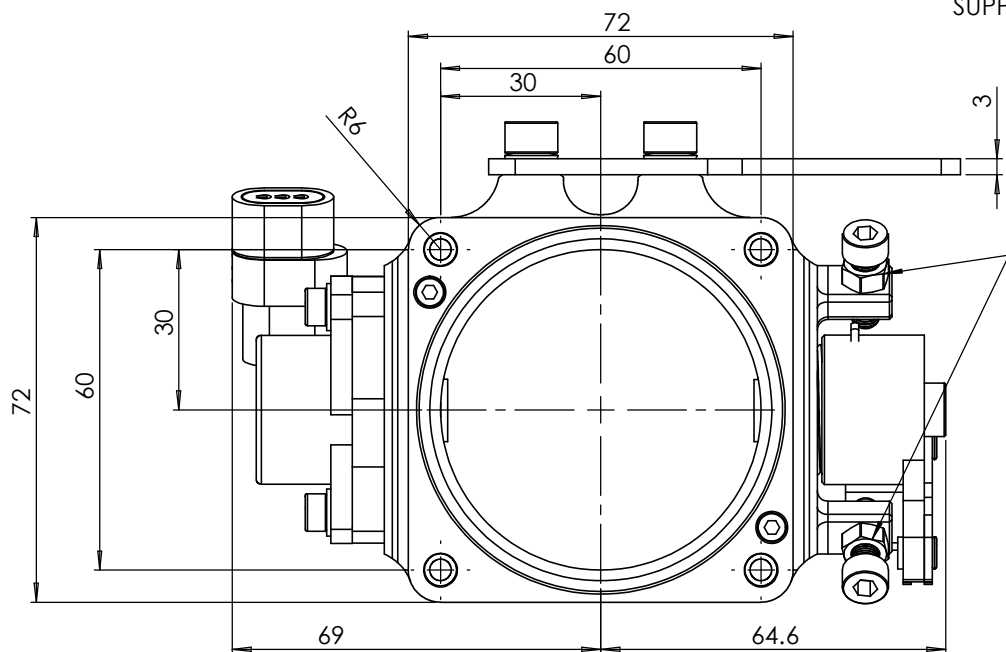

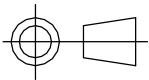


MAGNETTI MARELLI TPS

M6 SOCKET HEAD SCREWS SUPPLIED

IDLE AND FULLY OPEN ADJUSTABLE STPOS



 COPYRIGHT (c) 2013 AT POWER LTD UNIT 9, CHESTNUT DRIVE, WYMONDHAM, NORFOLK, UK, NR18 9SB	 THIRD ANGLE PROJECTION		MATERIAL
	SCALE 1:1	WEIGHT 475.399 kg	SEE COMPONENT PARTS
UNLESS OTHERWISE STATED: DIMENSIONS IN MILLIMETRES TOLERANCES: LINEAR ± 0.1 ANGULAR ± 0.5° SURFACE FINISH √ = √ DRAWING STANDARDS TO ATQS 6003 DATE FORMAT: DD/MM/YY	DRAWN- S.HOW	DRAWING TITLE	ASSY - MANIFOLD SINGLE THROTTLE - 60MM
THIS DESIGN IS THE PROPERTY OF AT POWER THROTTLES LTD AND MUST NOT BE REPRODUCED OR COMMUNICATED WITHOUT AUTHORITY	DATE - 28/03/22	DRAWING NUMBER	
CAD PLOT DO NOT SCALE	CHECKED - S.HOW	102-102-00355	SHEET 2 OF 2 A3
	APPROVED - A.CLIFTON		